

SN12(X)/15/17/20/25PT

Three Phase Inverters/2 MPPTS

Safe & Reliable

IP66 protection & C5 anti-corrosion rating
Type II SPD, both DC & AC sides
Built-in arc-fault circuit-interrupter

High Yield

Max. efficiency up to 98.6%
Compatible with bifacial PV modules
1.1 times continuous output overload

High-Performance Management

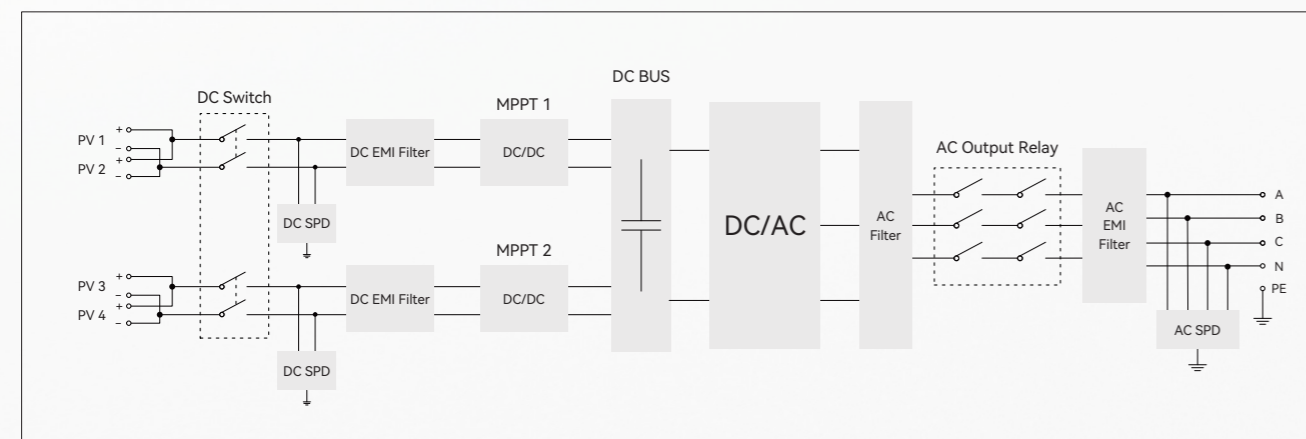
Accurate string current detection
Smart I/V curve scan
Local & remote maintenance

User-Friendly Design

Fanless design for quiet operation
Optional OLED screen
Quickly set up smart monitoring via APP



Circuit Diagram



Model	SN12PT-X	SN15PT	SN17PT	SN20PT	SN25PT
Input (PV)					
Max. PV input voltage/V					1100
Recommended max. PV power(STC)/Wp	18000	22500	25000	30000	37500
Nominal PV input voltage/V					620
MPPT operating voltage range/V					140~1000
Full power MPPT voltage range/V	375-850	470-850	470-850	470-850	470-850
Start up PV voltage/V					180
Number of PV input	2+1	2+1	2+2	2+2	2+2
Max. current per MPPT/A	32/20	32/20	32/32	32/32	40/32
Max. short circuit current per MPPT/A	50/25	50/25	50/50	50/50	50/50
DC terminal	Amphenol/MC4				
Output (grid)					
Nominal output power/W	12000	15000	17000	20000	25000
Max. output apparent power/VA	13200	16500	18700	22000	37500
Max. output current/A	19.1	23.9	27.1	31.9	39.9
Nominal grid voltage/V	3/N/PE 230/400				
Grid voltage range/V	320-480 (According to local standards)				
Nominal grid frequency/Hz	50/60				
Power factor range	0.8leading-0.8lagging				
Harmonic (THD)	<3%				
AC terminal	Quick plug connector				
Efficiency					
Max. efficiency	98.50%				
EU efficiency	98.10%				
General data					
Display mode	LED, OLED(optional)				
Communication port	RS485, WIFI/4G/Ethernet				
Weight/Kg	23	23	24	25	25
Dimensions (W*H*D)/mm	580*430*270				
Max. operating altitude/m	4000(>3000 derating)				
Cooling method	Natural				
Humidity	0~100%				
Operating temperature/°C	-25~60				
Protection level	IP66				
Topology	Transformerless				
Self-consuming at night	< 1W				
Protection					
Leakage current protection	Yes				
Anti-island protection	Yes				
DC reverse protection	Yes				
AC short circuit protection	Yes				
PV string current detection	Yes				
PID recovery	Optional				
DC switch	Yes				
Arc-fault circuit-interrupter	Yes				
Surge protection	DC II/AC II				
Insulation monitoring	Yes				
Over-voltage protection	AC III/ DC II				

*Please visit Sineng website for latest certificates.