

SN25(X)/30/33/36/40PT

Three Phase Inverters/ 3 MPPTS

Safe & Reliable

IP66 protection & C5 anti-corrosion rating
Type II SPD, both DC & AC sides
Built-in arc-fault circuit-interrupter

High Yield

Built-in PID recovery function
Compatible with bifacial PV modules
1.1 times continuous output overload

High-Performance Management

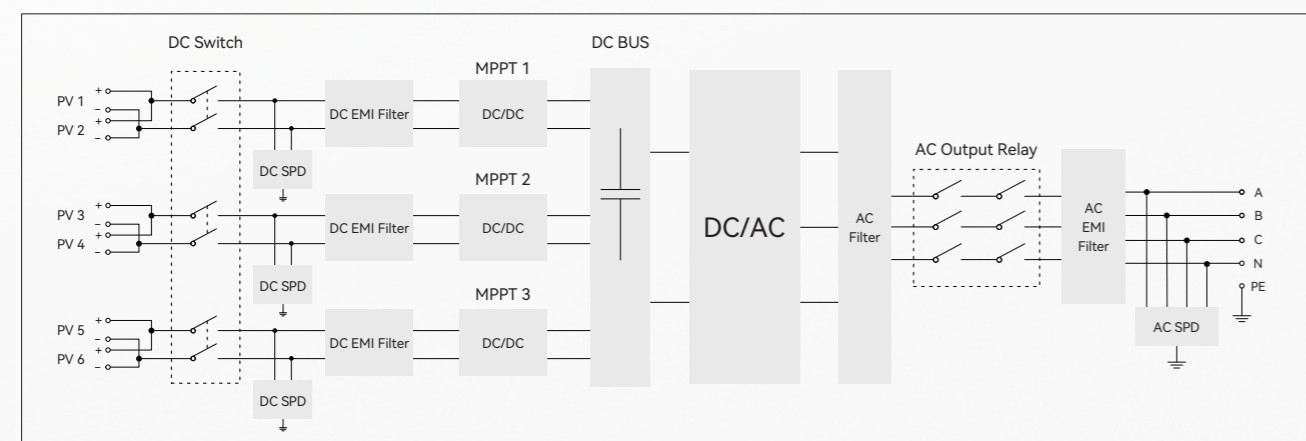
Accurate string current detection
Smart I/V curve scan
Local & remote maintenance

User-Friendly Design

Convenient handle design
Optional OLED screen
Quickly set up smart monitoring via APP



Circuit Diagram



Model	SN25PT-X	SN30PT	SN33PT	SN36PT	SN40PT
Input (PV)					
Max. PV input voltage/V					1100
Recommended max. PV power(STC)/Wp	37500	45000	49500	54000	60000
Nominal PV input voltage/V					620
MPPT operating voltage range/V					160~1000
Full power MPPT voltage range/V					520~850
Start up PV voltage/V					180
Number of PV input					3*2
Max. current per MPPT/A	32/32/32	32/32/32	32/32/32	40/32/32	40/32/32
Max. short circuit current per MPPT/A					50
DC terminal					Amphenol/MC4
Output (grid)					
Nominal output power/W	25000	30000	33000	36000	40000
Max. output apparent power/VA	27500	33000	36300	39600	44000
Max. output current/A	39.9	47.8	52.6	57.4	63.8
Nominal grid voltage/V					3/N/PE 230/400
Grid voltage range/V					320~480 (According to local standards)
Nominal grid frequency/Hz					50/60
Power factor range					0.8leading~0.8lagging
Harmonic (THD)					<3%
AC terminal					Terminal Block
Efficiency					
Max. efficiency					98.60%
EU efficiency					98.30%
General data					
Display mode					LED, OLED(optional)
Communication port					RS485, WIFI/4G/Ethernet
Weight/Kg					32
Dimensions (W*H*D)/mm					585*490*260
Max. operating altitude/m					4000(>3000 derating)
Cooling method					Smart fan cooling
Humidity					0~100%
Operating temperature/°C					-25~60
Protection level					IP66
Topology					Transformerless
Self-consuming at night					< 1W
Protection					
Leakage current protection					Yes
Anti-island protection					Yes
DC reverse protection					Yes
AC short circuit protection					Yes
PV string current detection					Yes
PID recovery					Yes
DC switch					Yes
Arc-fault circuit-interrupter					Yes
Surge protection					DC II/AC II
Insulation monitoring					Yes
Over-voltage protection					AC III/DC II/III

*Please visit Sineng website for latest certificates.