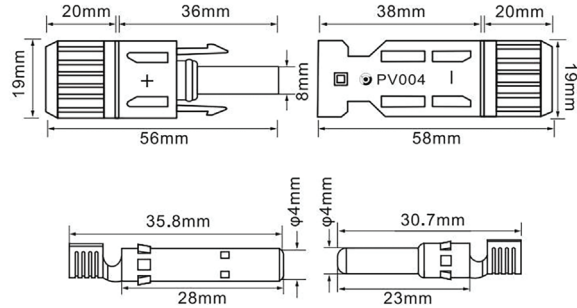


Solar PV System Connector MC4 Compatible



PV004

IEC 62852:2014



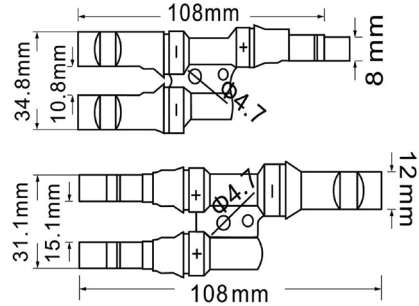
TECHNICAL PARAMETERS

Match wire specifications	2.5 mm ² , 4 mm ² , 6 mm ²
Rated voltage	DC 1000V
Rated current	30A
Contact material	Tinned copper
Insulation material	PC/PPO
Type of connection	Crimping
Locking system	Locking type
Degree of protection	IP65/IP68
Ambient temperature range	-40°C~+85°C
Upper temperature limit	100°C
Contact resistance of plug connectors	≤0.5mΩ
Withstand voltage test	6.5KV, 1 min
Flame class	UL94-V0
Compatibility	Compatible with MC4 connectors
Salt spray test	Degree of severity 6
Damp heat test	No damage occurred which could impair normal use
Assemblability	Insertion force ≤50N, withdrawal force ≥50N
Connector pulling force	≥200N
Warranty period	25 years
Packing quantity	500 sets/box

Solar PV System Connector MC4 Compatible



PV004-T2
IEC 62852:2014



TECHNICAL PARAMETERS

Rated voltage	DC 1000V
Rated current	30A
Contact material	Tinned copper
Insulation material	PPO
Locking system	Locking type
Degree of protection	IP65/IP68
Ambient temperature range	-40°C~+85°C
Upper temperature limit	100°C
Contact resistance of plug connectors	≤0.5mΩ
Withstand voltage test	6.5KV, 1 min
Flame class	UL94-V0
Compatibility	Compatible with MC4 connectors
Salt spray test	Degree of severity 6
Damp heat test	No damage occurred which could impair normal use
Assemblability	Insertion force ≤50N, withdrawal force ≥50N
Connector pulling force	≥200N
Warranty period	25 years
Packing quantity	200 sets/box